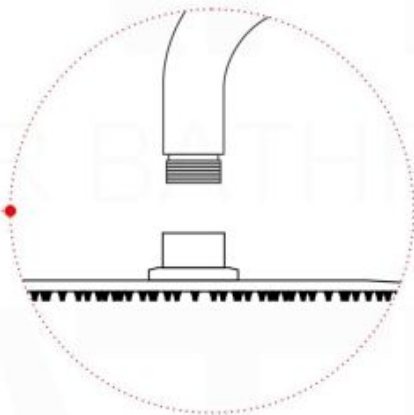
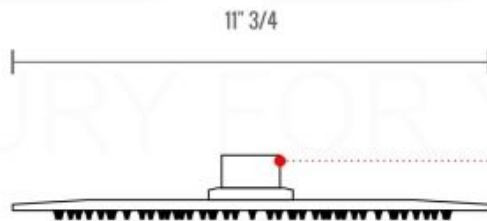
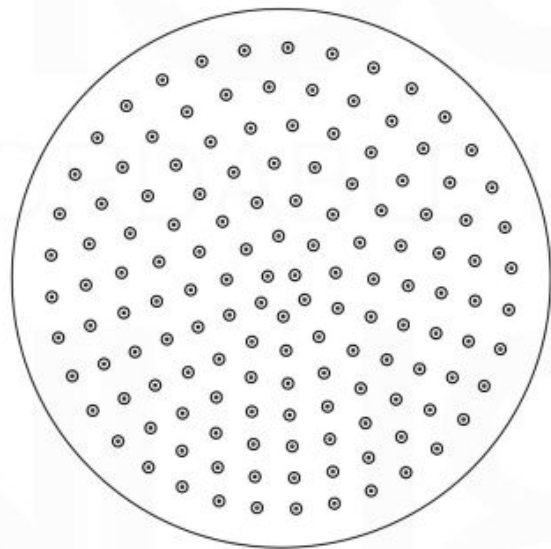
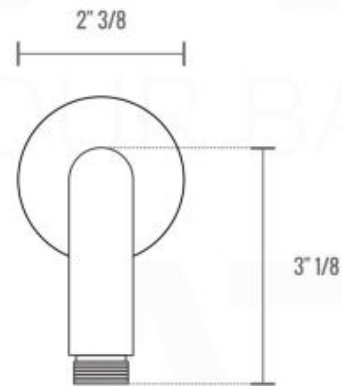
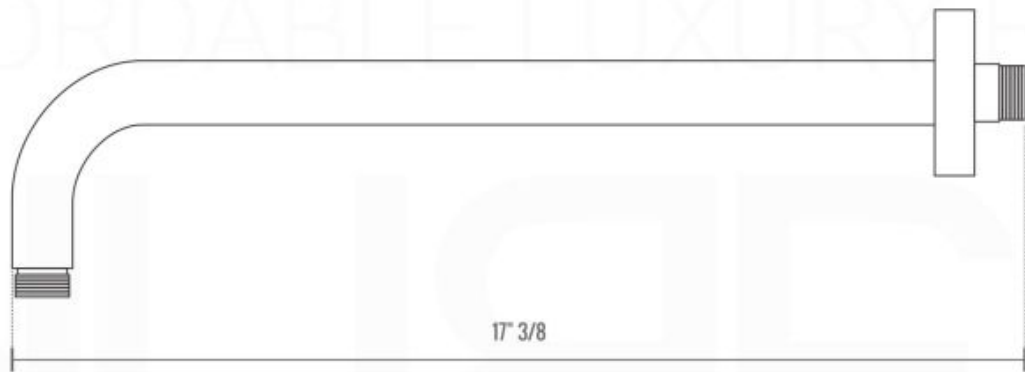


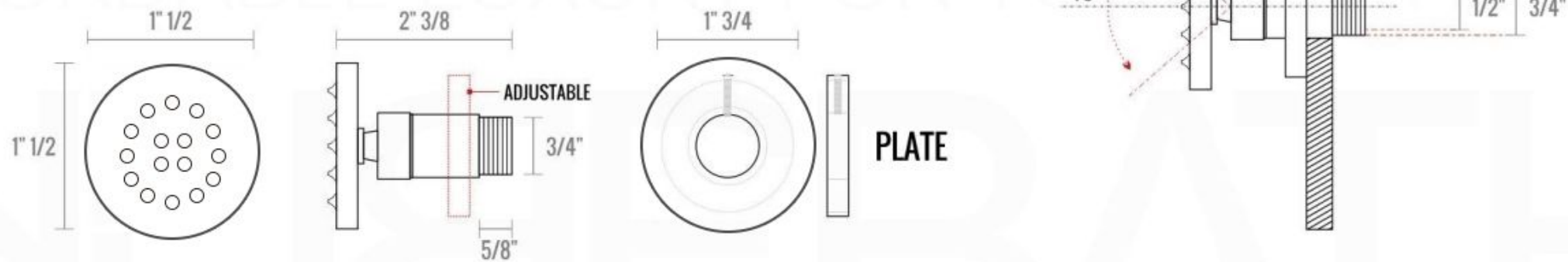
RONDO RAIN SHOWER HEAD (ARR12)



RONDO 17" WALL MOUNT SHOWER ARM (ARWB17)

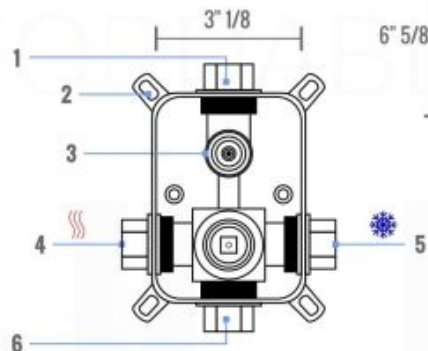


RONDO BODY JET (R-JET)

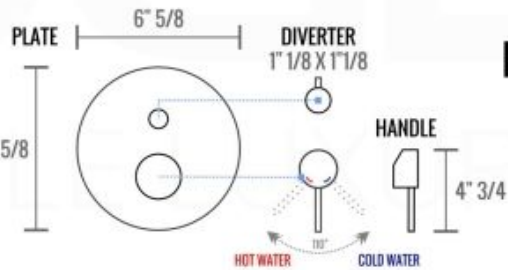


RONDO 2 WAY VALVE (ARRS2V)

FRONT VIEW



- 1 - UPPER END OUTLET PIPE INTERFACE
- 2 - MOUNTING FIXED HOLE
- 3 - DIVERTER
- 4 - **HOT WATER** PIPE INTERFACE
- 5 - **COLD WATER** PIPE INTERFACE
- 6 - LOWER END OUTLET INTERFACE

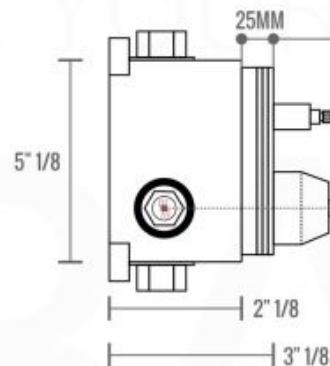


PROTECTION COVER



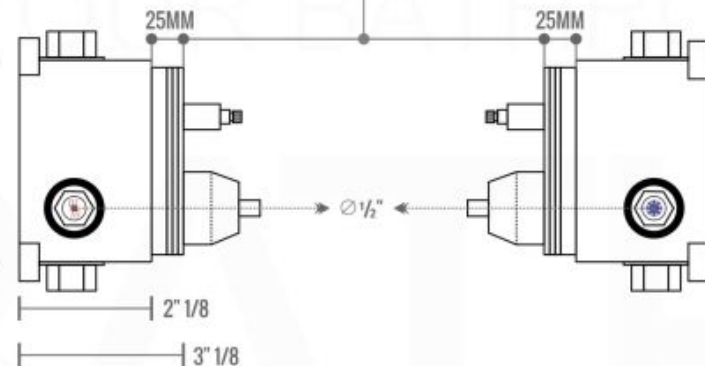
TEMPORARILY SEAL CAPS

LEFT VIEW



RIGHT VIEW

THIS LINE ON:
SAME SURFACE AS RAW WALL WHEN SET IN.
CUT TO BE ON SAME SURFACE OF CERAMIC | EXTRA 25MM FOR CERAMIC



RONDO 2 WAY VALVE (ARRS2V)

CONFIG.01

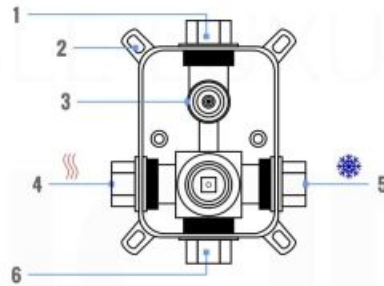
RAIN SHOWER W/HANDHELD

CONFIG.02

RAIN SHOWER W/TUB FILLER

CONFIG.03

RAIN SHOWER W/BODY JETS



CONFIG.01

RAIN SHOWER W/HANDHELD



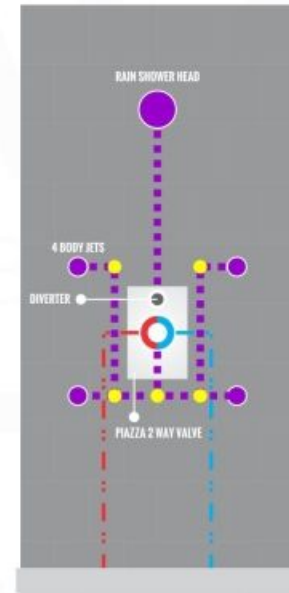
CONFIG.02

RAIN SHOWER W/TUB FILLER



CONFIG.03

RAIN SHOWER W/BODY JETS



RONDO 3 WAY VALVE (ARRS3V)

CONFIG.01

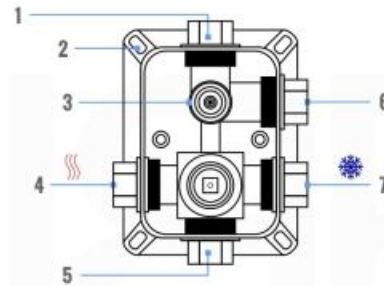
RAIN SHOWER W/HANDHELD AND TUB FILLER

CONFIG.02

RAIN SHOWER W/HANDHELD AND MASSAGE BODY JETS

CONFIG.03

RAIN SHOWER W/TUBE FILLER AND MASSAGE BODY JETS



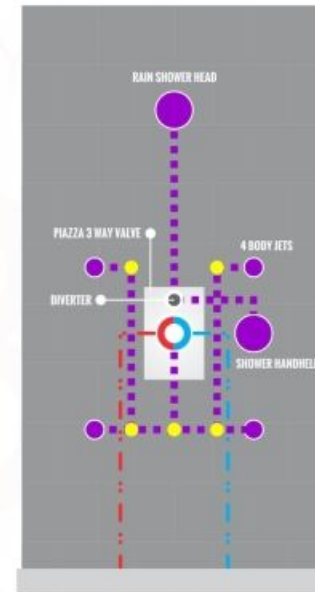
CONFIG.01

RAIN SHOWER W/HANDHELD AND TUB FILLER



CONFIG.02

RAIN SHOWER W/HANDHELD AND MASSAGE BODY JETS



CONFIG.03

RAIN SHOWER W/TUBE FILLER AND MASSAGE BODY JETS

