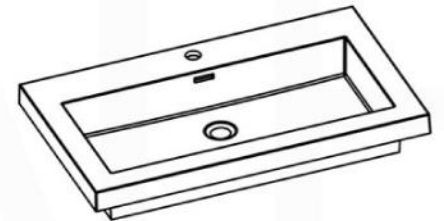
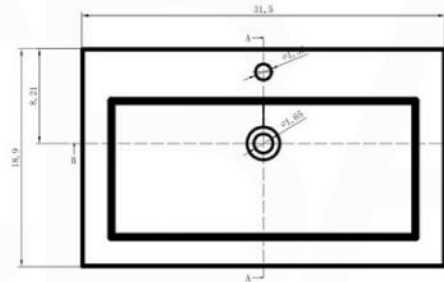
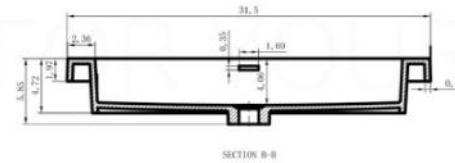
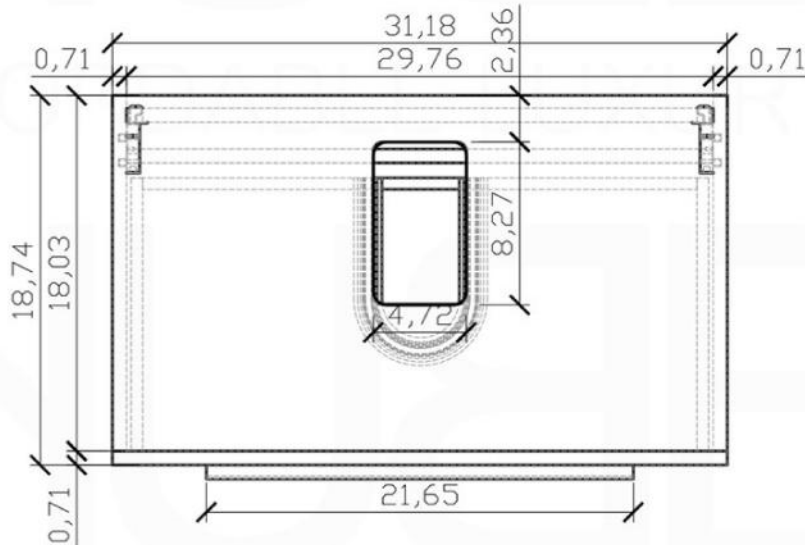
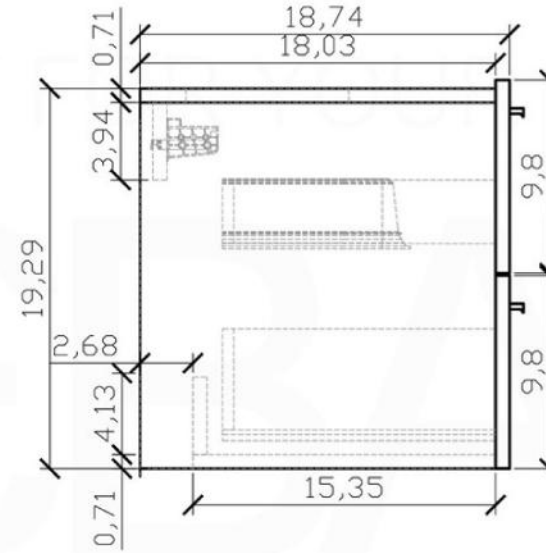
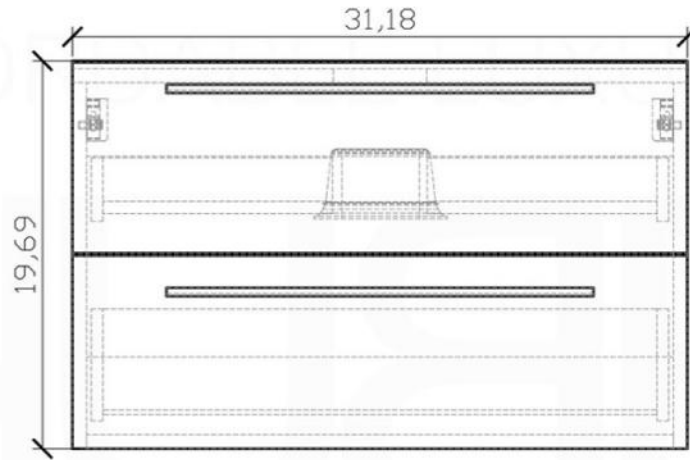


**TONA N800**

Dimensions:	width	depth	height
inches	31.18"	18.74"	19.29"
mm	792	476	490

NOTE: DIMENSIONS AND TECHNICAL DETAILS ARE SUBJECT TO CHANGE WITHOUT NOTICE

**WITH SINK 1.97"H**



All rights reserved. The authors retain all copyrights in any text, graphic images and photos in this book. No part of this publication may be reproduced or transmitted in any form or by any means, electronic or mechanical, including photocopying, recording, or any information storage and retrieval system, without permission in writing from the authors.