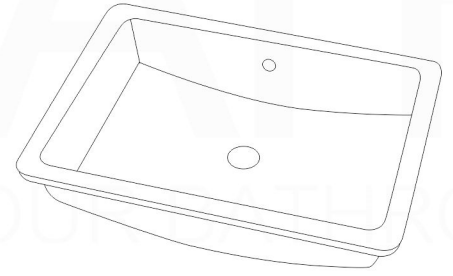
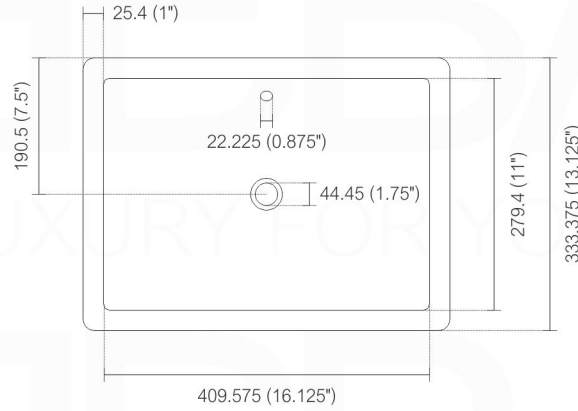


# CERAMIC UNDERMOUNT SINK AD69CS

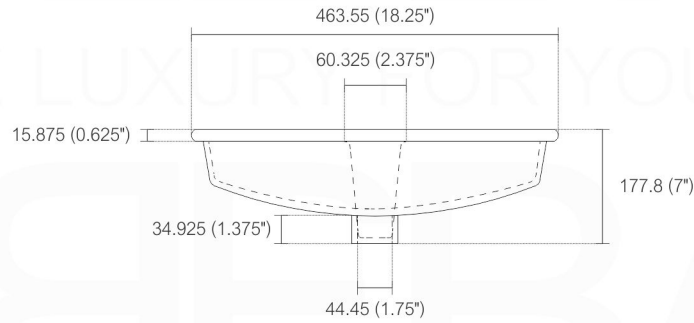
Counter cutout opening: 387.35 (15.25") W x 260.35 (10.25") D



TOP ELEVATION



FRONT ELEVATION



SIDE ELEVATION

