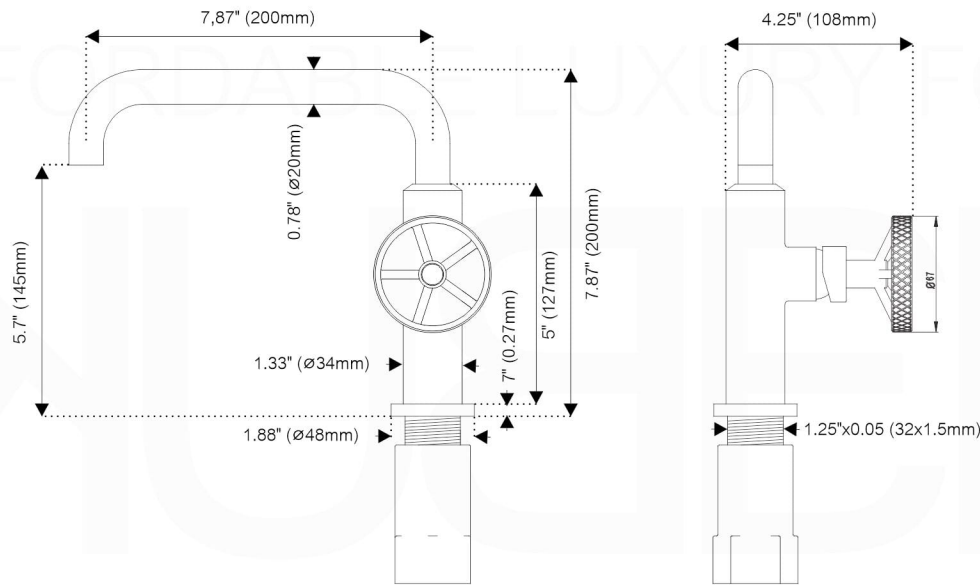


AQUA LOFT

Aqua Single Lever Faucet with Side Handle / SKU: AFB005



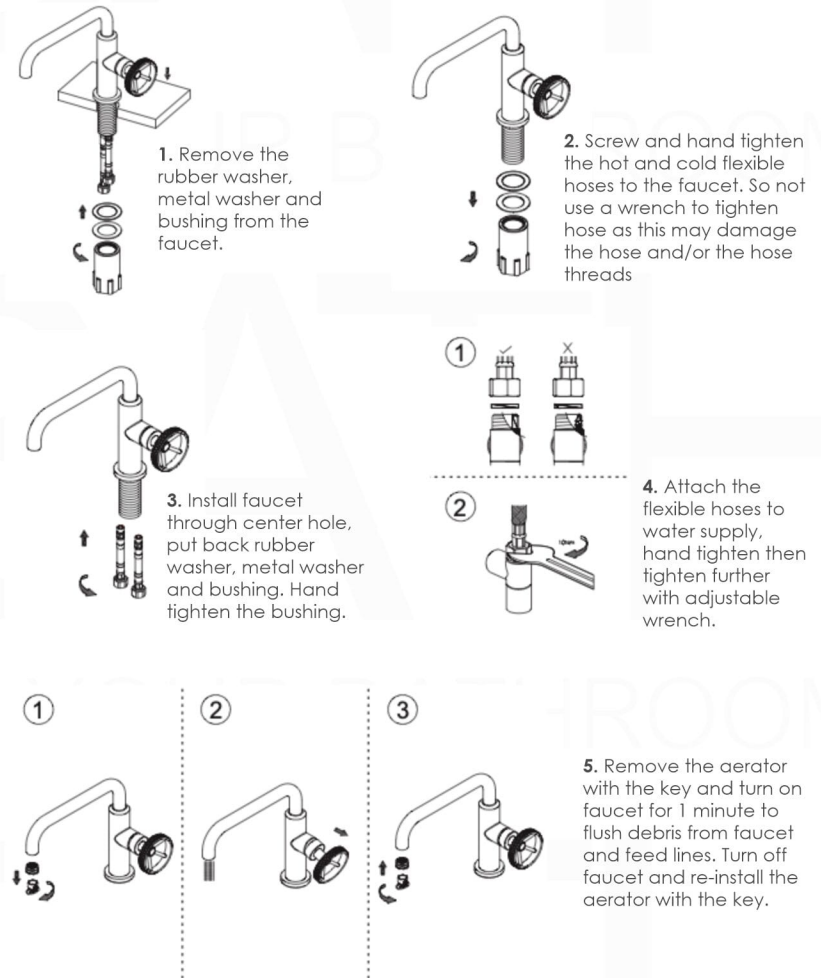
NOTES BEFORE INSTALLATION

1. Please check that all components are present.
2. Before installation, ensure that all feed lines are clear of debris and on/off valve is present.
3. Ensure water pressure is between 20-125PSI (includes combination of hot and cold feed lines).
4. Pictures in the manual are general in content and may not represent exactly your purchased faucet. If you are having difficulties, please contact a professional plumber.
5. If you will be away from home for an extended period, you should shut off the main water supply.

DAILY MAINTENANCE

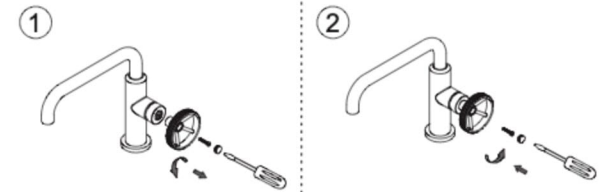
1. Use a soft cloth and vinegar to remove hard-water spots.
2. Check aerator (if present) regularly for calcium buildup when water stream is not optimum.
3. DO NOT use caustic cleaning products as the use will break down finish and will void product warranty.
4. Acceptable cleansers include vinegar or mild non-abrasive liquid detergents.
5. If the water pressure appears to be less optimum, remove, inspect, or replace aerator.

INSTALLATION STEPS



HOW TO CHANGE THE HANDLE

Take out the cover and remove the screw, replace the handle with another one, tighten the screw and put back the cover.



All rights reserved. The authors retain all copyrights in any text, graphic images and photos in this book. No part of this publication may be reproduced or transmitted in any form or by any means, electronic or mechanical, including photocopying, recording, or any information storage and retrieval system, without permission in writing from the authors.