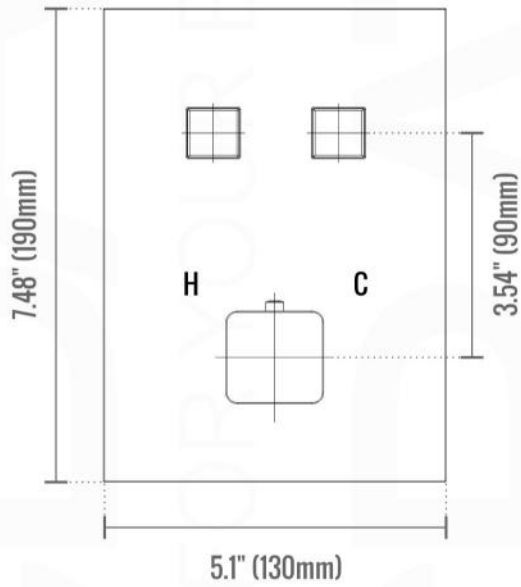
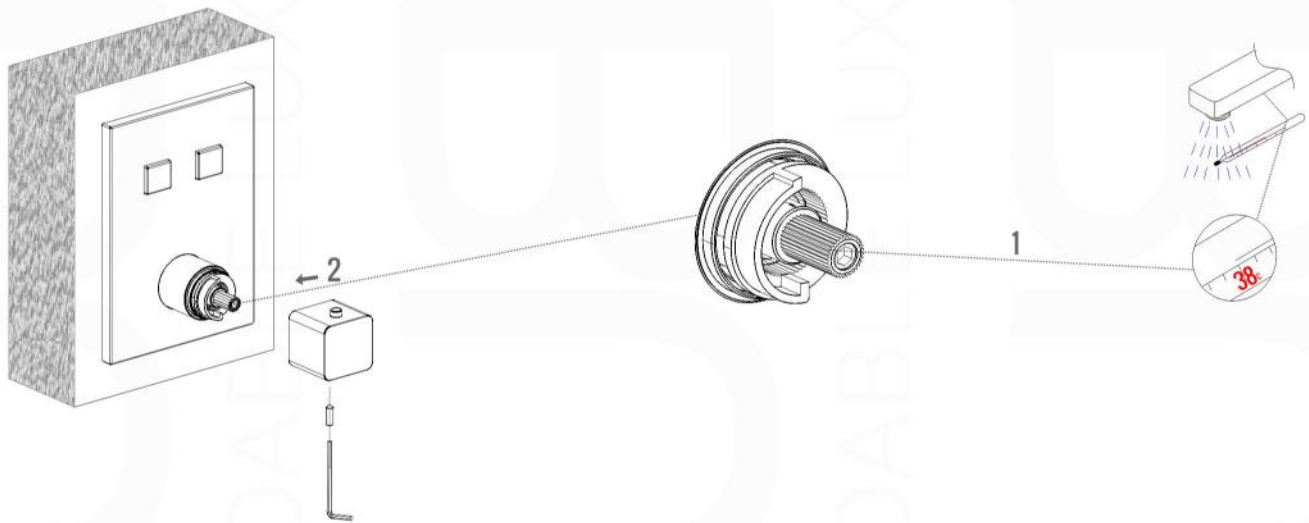
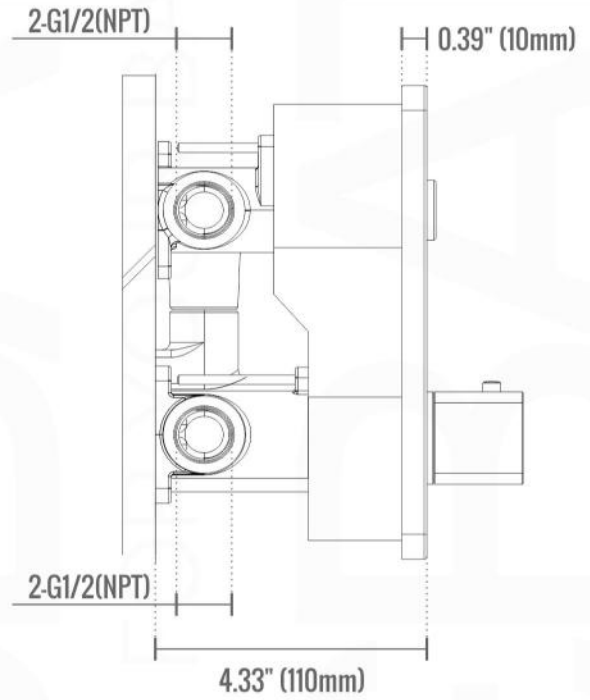


PIAZZA THERMOSTATIC 2 WAY VALVE (TV2V)

FRONT VIEW

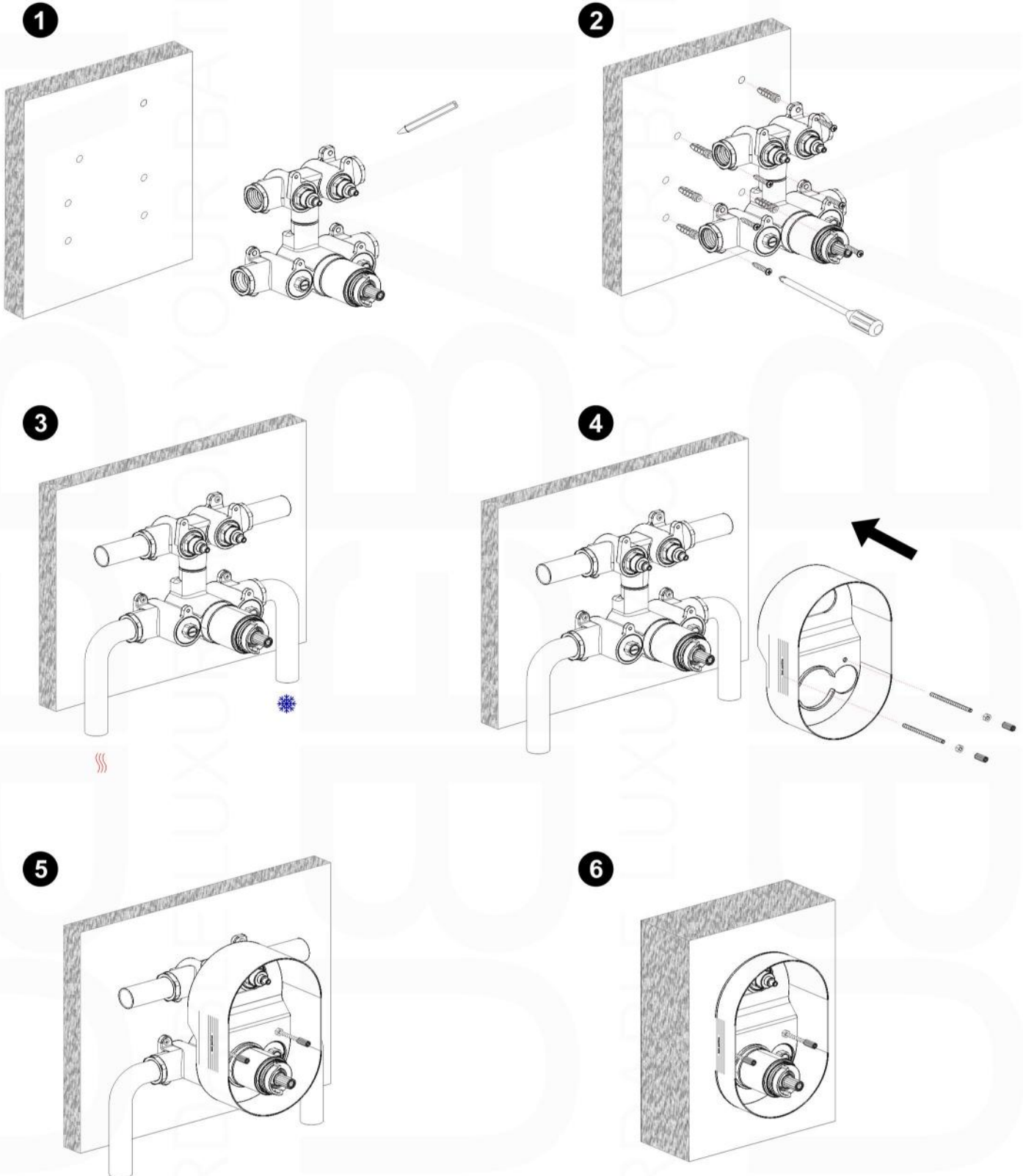


LEFT VIEW

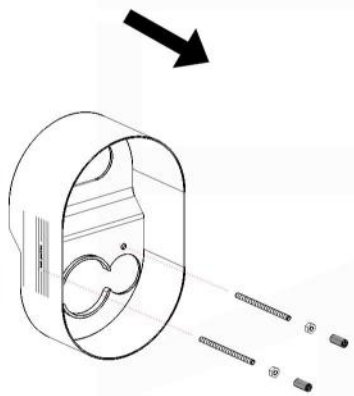
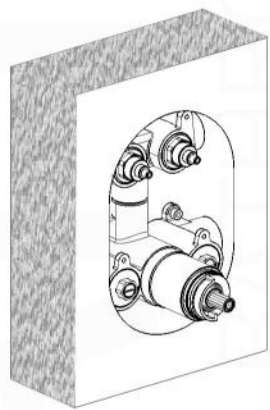


PIAZZA THERMOSTATIC 2 WAY VALVE (TV2V)

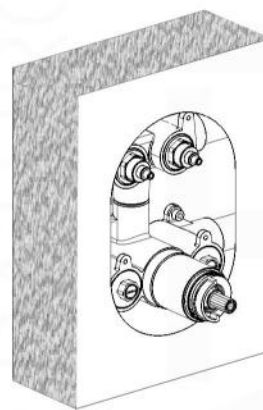
Installation



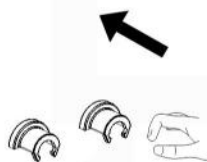
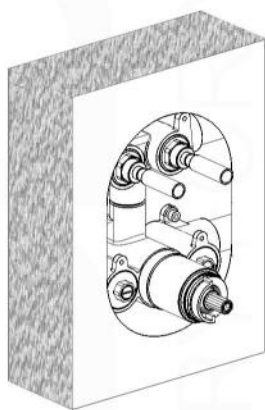
7



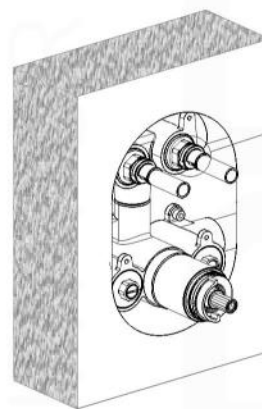
8



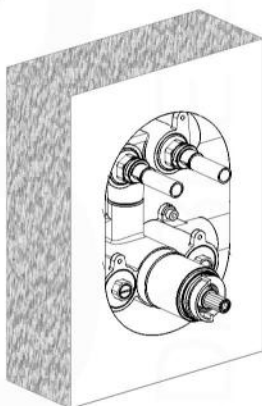
9



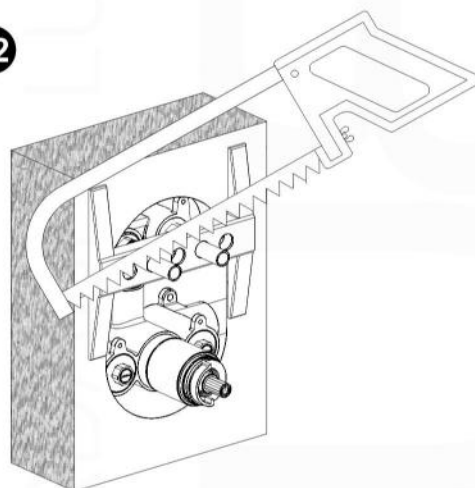
10



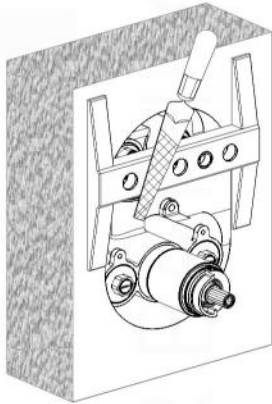
11



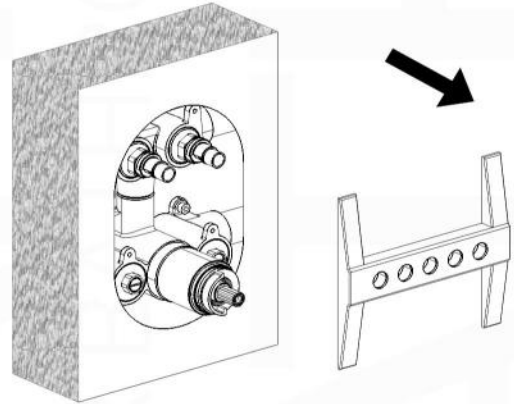
12



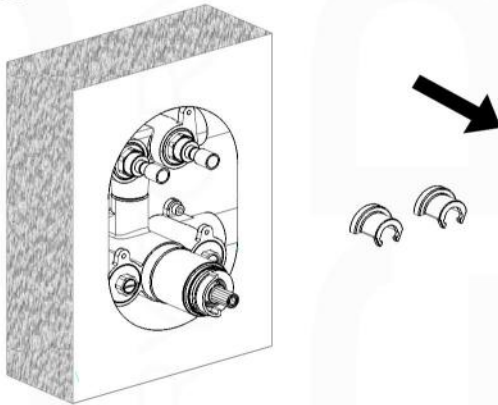
13



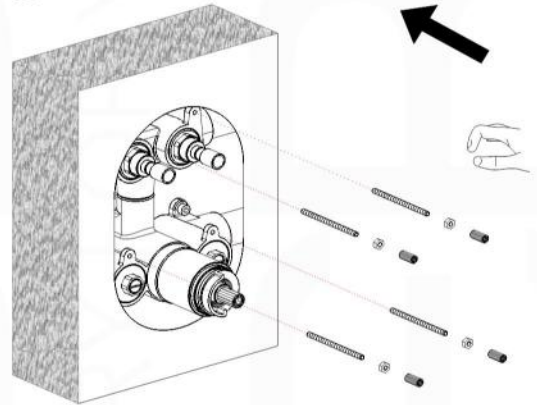
14



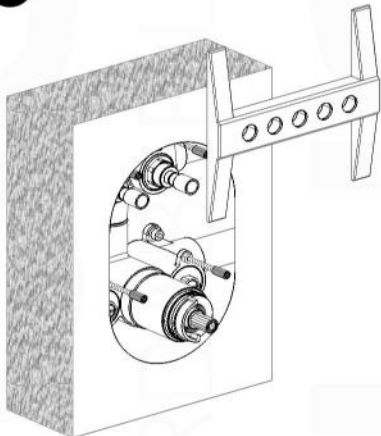
15



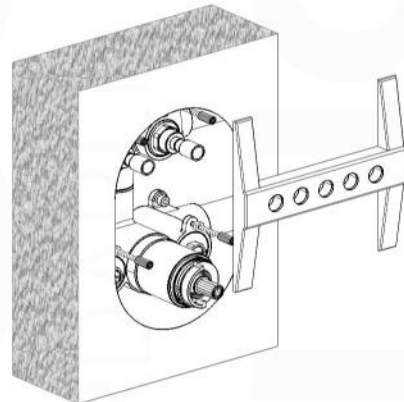
16



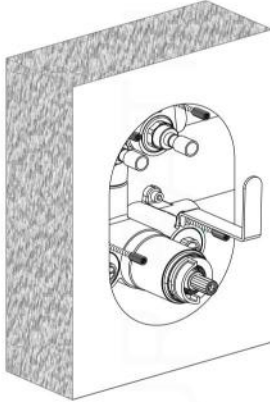
17



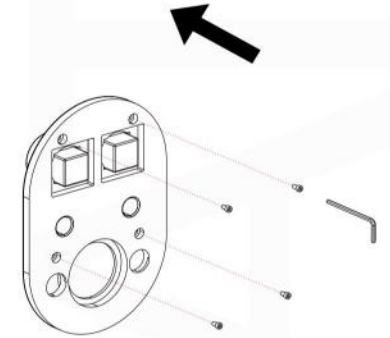
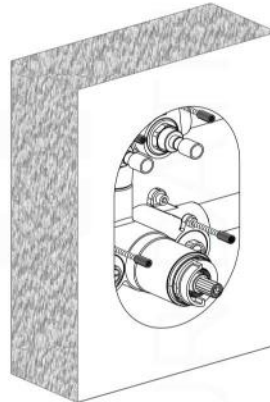
18



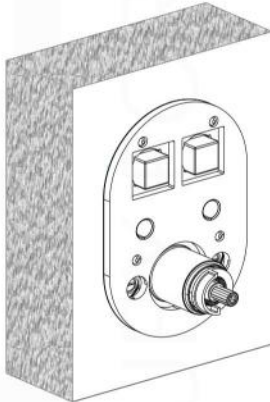
19



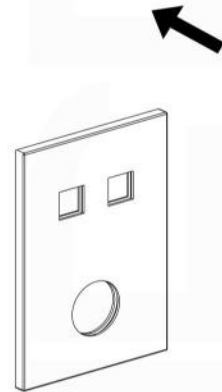
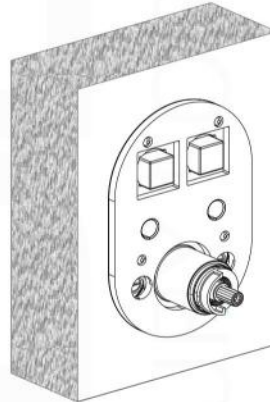
20



21



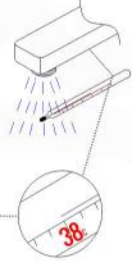
22



23



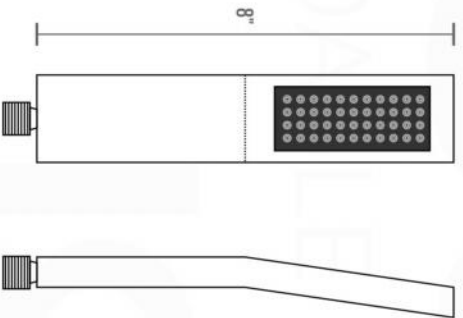
1



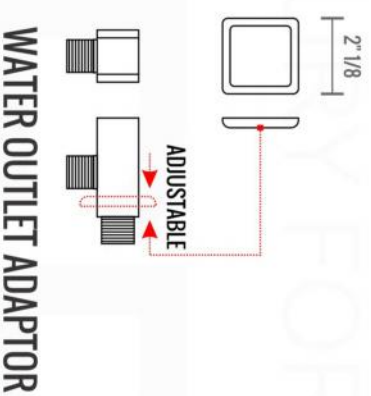
MUBEETH
AFFORDABLE LUXURY FOR YOUR BATHROOM

PIAZZA HAND SHOWER SET (AHHS1423)

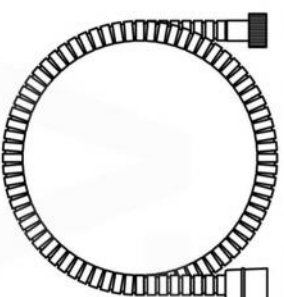
HAND HELD



PLATE



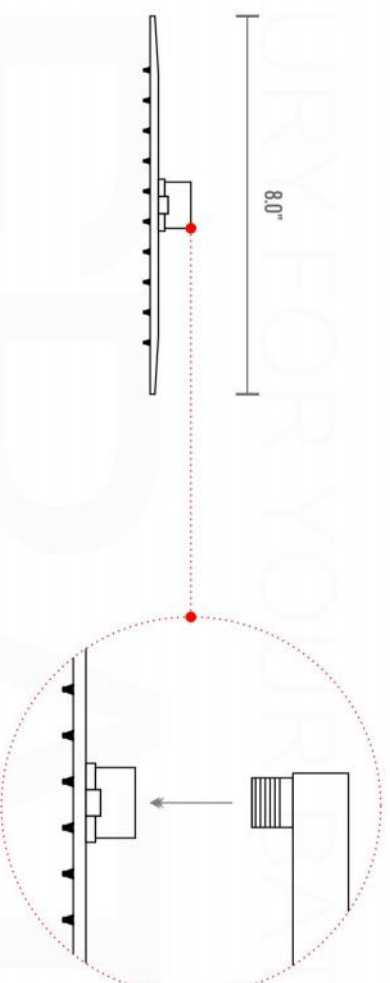
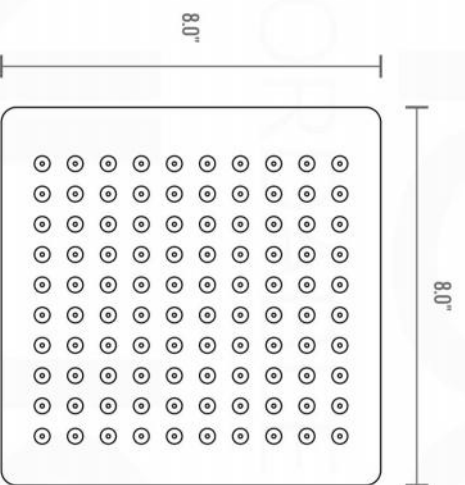
FLEXIBLE HOSE



All rights reserved. The authors retain all copyrights in any text, graphic images and photos in this book. No part of this publication may be reproduced or transmitted in any form or by any means, electronic or mechanical, including photocopying, recording, or any information storage and retrieval system, without permission in writing from the authors.

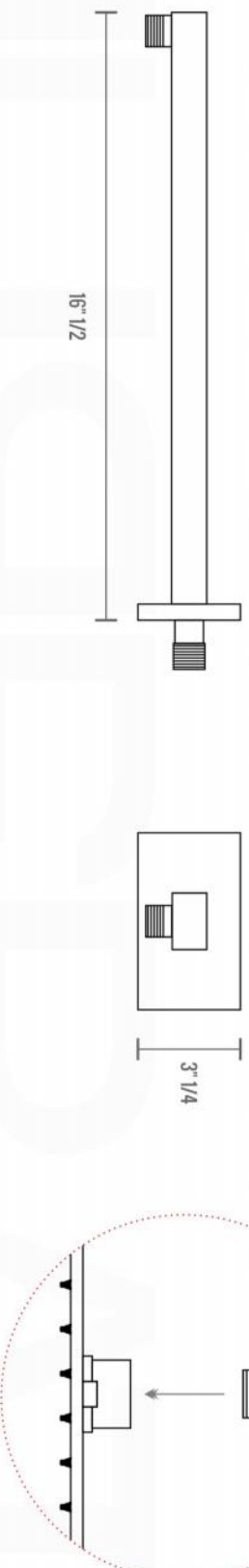
MUBE BATH
AFFORDABLE LUXURY FOR YOUR BATHROOM

PIAZZA RAIN SHOWER HEAD (ARS200)



All rights reserved. The authors retain all copyrights in any text, graphic images and photos in this book. No part of this publication may be reproduced or transmitted in any form or by any means, electronic or mechanical, including photocopying, recording, or any information storage and retrieval system, without permission in writing from the authors.

PIAZZA 17" WALL MOUNT SHOWER ARM (ASA17W)



All rights reserved. The authors retain all copyrights in any text, graphic images and photos in this book. No part of this publication may be reproduced or transmitted in any form or by any means, electronic or mechanical, including photocopying, recording, or any information storage and retrieval system, without permission in writing from the authors.